

EMOTIONS START WITH LIGHT!



 **LENA**  
LIGHTING



## MADE IN POLAND

We are a lighting manufacturer with over 35 years of presence on the market, which is why we know everything about luminaires and lighting systems: we design, comprehensively test and manufacture them. We combine practice with modernity.



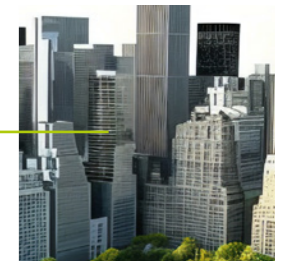


Urban diversity means different expectations – both in terms of form and technology used.



## ZONE 1

representative areas, urban interiors, squares and urban green islands



## ZONE 2

mixed zones, promenades, pedestrian paths, housing estates



## ZONE 3

park areas and biologically active spaces







SKVER<sub>LED</sub>



The Skver LED is a range of park and urban luminaires, which is a game changer when it comes to external lighting. Excellent parameters, elimination of light pollution, modular structure and creative design are not its only advantages.

The luminaires were created in line with the concept of Nature Centric Lighting, with ecology and safety of both people and animals in mind.

The designers have applied a range of modern solutions, which significantly expand application possibilities of park and urban luminaires.







01 / 05 — **LONGER LIFESPAN**

Thanks to the easy replacement of individual modules or components, infrastructure operators can carry out servicing tasks more easily than ever before, eliminating the need to dispose of the whole luminaire.

02 / 05 — **ENERGY EFFICIENCY**

The possibility to upgrade or replace specific components, such as the power supply and LED module, makes it easier for the owners to implement newer, more energy-efficient component options in the future.

03 / 05 — **MATERIAL SAVINGS**

The minimised need to replace the entire luminaires, modular design, detachability of the component board, reduce the consumption of materials required for the production of new luminaires.

04 / 05 — **ADAPTATION TO INDIVIDUAL NEEDS**

Regardless of the application area, the Skver LED luminaire enables creating a coherent and diverse urban style, and the use of Tunable White technology and dynamic control will make you stay ahead of the game!

05 / 05 — **INTEROPERABILITY**

Compliance with Zhaga Book 13, 15, and 18 standards allows the Skver LED luminaire to fully utilise its potential. Additionally, equipping the luminaire with TALQ-compatible control systems will help you design the future of your city's infrastructure!





**Lena C5+**



The Skver LED luminaires were developed in full compliance with Zhaga Book 13, 15, and 18, which set standards for the positioning and installation of the power supply, LEDs, and Zhaga connectors, making it easier to replace these components in the future. This significantly extends the product's lifespan, ensuring that the city benefits from this standardised modularity,

#### GUARANTEEING THAT FUTURE

#### URBAN INFRASTRUCTURE DEVELOPMENT

#### HAS NO BOUNDS!

The Skver range includes C5+ models, which are not only resistant to harsh weather conditions but also to corrosion. Therefore, they can be successfully installed in locations such as promenades, bridges, or piers – anywhere there is direct contact with bodies of water with various degrees of salinity.



SKVER<sub>LED</sub>





SKVER<sub>LED</sub>



Replaceable  
light modules



## INNOVATIVE APPROACH TO DESIGN

Modular design of the Skver luminaire allows infrastructure owners to customise its configuration to their needs and preferences, making everyday maintenance and servicing easier than ever!



SKVER<sub>LED</sub>





---

### Skver LED luminaires in an omnidirectional version

They provide premium, pleasant lighting to evenly brighten park spaces, offering universal flexibility.



---

### Skver LED luminaires in the lens version

They allow for adjusting light distribution. Adjusting the position of lenses changes the angle and direction of light distribution by up to 180°, preventing it from spreading in unwanted directions.

---

### Knife switch

A knife switch installed in certain versions of the luminaire shuts off power upon opening its cover. As a result, the person performing modification is fully protected.



---

### Tool-less access to fittings

Accessing electrical and optical components simply requires unscrewing two screws and opening the luminaire cover without any tools.



Skver luminaires were developed under the Nature Centric Lighting concept, prioritising ecology and safety of people and animals.

Limiting light distribution with the backshield accessory ensures comfort wherever you need it.



## LIGHT DISTRIBUTION AND ITS ADJUSTABILITY

Skver fixtures can be customised with various special hoods and a backshield, which allows for adjusting light distribution and prevents uncontrolled illumination of large areas. This is done quickly by snapping the accessory into place.

## ULOR FACTOR

Road lighting enables safe movement in transportation areas – it allows for proper recognition of the terrain's topography or road geometry. It enhances the comfort of residents, drivers, and cyclists in built-up areas. It is important, however, that the operation of the luminaires does not pollute the natural environment and does not have a negative impact on the users. Light pollution affects not only humans but also their environment. This is why it is so important to adapt the luminaires to the demanding outdoor conditions. The Skver luminaires, with a ULOR<1\* factor, are designed with the Nature Centric Lighting concept in mind, focusing on ecology and the safety of both people and animals.

\*applies to selected indices





# TUNABLE WHITE

Tunable White (Human Centric Lighting) is a technology that allows the user to control the colour (colour temperature) and luminous flux of a single luminaire or group of luminaires, reflecting the natural light whose colour and intensity changes over the day.

## HUMAN CENTRIC LIGHTING

Tunable White also allows the luminaire to adapt to current needs and activities, regardless of the time of day. There are two types of LEDs in the luminaire and the DALI bus, prompted via the touch panel or application, controls the colour and luminous flux. Manual control is possible or scenes can be pre-set.



POLE MOUNTED  
LUMINAIRES





IP 66

IK 10

ULOR < 1

FOR SELECTED  
LUMINAIRE INDICES

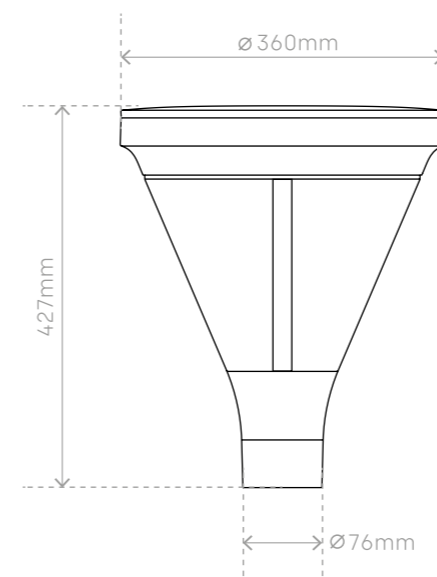
POLE MOUNTED LUMINAIRES

## BASIC VERSION

Skver LED are ultra-modern luminaires that meet stringent quality and safety requirements.

A wide range of modification options, in line with the Nature Centric Lighting trend, help create spaces that are friendly to people and animals, eliminating light pollution.

This is an exceptionally effective and energy-efficient solution that sets the direction for the development of the lighting industry.



Rated power [W]: 19 - 50

Luminous flux [lm]: 2850 - 7100

Mounting method: pole mounted

Additional options: comes standard with a power cable for easy connection and powering the luminaire

SKVER<sub>LED</sub>



IP 66

IK 10

ULOR < 1

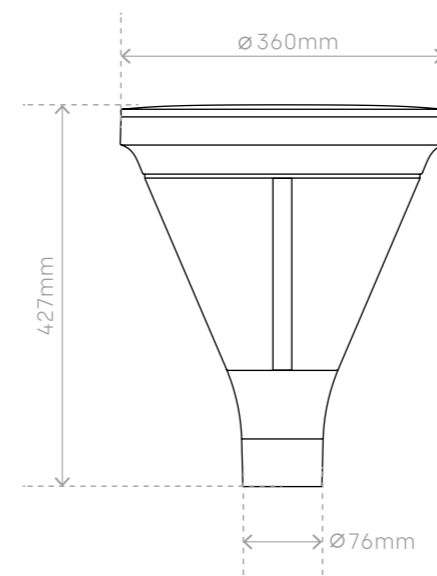
FOR SELECTED  
LUMINAIRE INDICES

POLE MOUNTED LUMINAIRES

## MODULAR VERSION

The Skver LED luminaire in its modular version is characterised by advanced design.

Opening the luminaire doesn't require any tools, making it easy to replace electrical and optical components such as drivers and LEDs. All it takes is removing the panel, which comes with ergonomic handles. This significantly extends the product's lifespan. The replacement of components is carried out in safe conditions. A service technician can replace the board with a new one in just a few minutes, and conduct error diagnosis at their workstation, for example in a workshop or laboratory.



Rated power [W]: 19 - 50

Luminous flux [lm]: 2850 - 7100

Mounting method: pole mounted

Additional options: Tool-free access, interchangeable module (LED + power supply + accessories).

SKVER<sub>LED</sub>





IP 66

IK 10

ULOR < 1

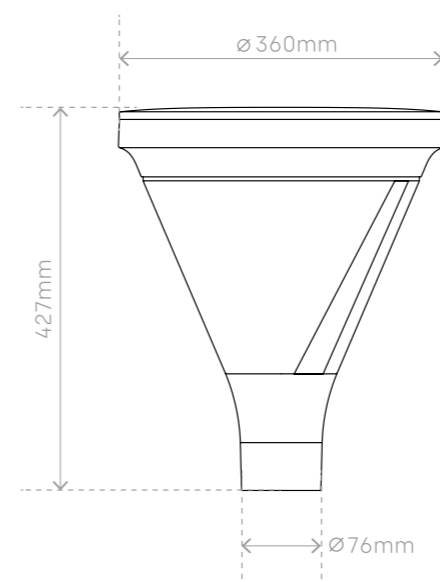
FOR SELECTED  
LUMINAIRE INDICES

POLE MOUNTED LUMINAIRES

## MODULAR VERSION WITH A KNIFE SWITCH

Skver LED luminaires in this version are distinguished by their top-notch safety and ergonomic design.

It cuts off power to the particular luminaire upon opening its cover, ensuring safe performance of essential servicing tasks. As a result, the person performing modification is fully protected. The knife switch mechanism is user-friendly, enabling quick and intuitive powering on and off of the luminaire.



Rated power [W]: 19 - 50

Luminous flux [lm]: 2850 - 7100

Mounting method: pole mounted

Additional options: knife switch connector, cutting off power, safeguards against accidental electric shock

SKVER  
LED

POLE MOUNTED LUMINAIRES

## CUSTOM VERSIONS

### Basic

#### luminaire shape

Luminaires of this shape are available in both basic and modular versions with either omnidirectional or lens-type light distribution characteristics.



### Backshield

The luminaire can be equipped with a backshield, which prevents the light from spreading in unwanted directions.



### Luminaire with a hood example 1

The basic shape of the luminaire can be easily modified and expanded to include a classic round version of the hood.



The Skver park and urban luminaires combine high light efficiency and unprecedented functionality with innovative, modular design. This feature allows for easy and quick implementation of structural and visual changes in the luminaire. Thanks to this

**WE CAN DESIGN AND PRODUCE  
YOUR OWN SKVER LED URBAN  
PARK LUMINAIRE!**

It's easier than you think! Your customised Skver LED luminaire will be created using one of our specially designed accessories or entirely from scratch – just for your city! Tailored to individual lighting needs, unique identification, and urban elegance bringing out the true beauty of urban spaces – Skver LED will allow you to stand out from the crowd.

Based on the best and tailored lighting solutions!



POLE MOUNTED LUMINAIRES

## BESPOKE VERSIONS

Skver Bespoke road luminaires provide a one-of-a-kind solution, showcasing our dedication to meeting the unique needs of our customers.

### Example 2

---

The Skver LED luminaire with a hood, featuring a square-like cross-section, is an excellent combination of modern design and functionality, guaranteeing optimal lighting and enhancing the visual appeal of urban areas.



### Example 3

---

Combining a classic round hood with a modern metal element offered in a variety of colours, the Skver LED luminaire achieves a seamless fusion of elegance and functionality.



### Example 4

---

The Skver LED luminaire with a round hat-shaped hood not only provides effective lighting, but also adds a unique style and character to the urban landscape.



### Example 5

---

The Skver LED luminaire with a round modern perforated hood is the perfect combination of minimalist design and functionality. It gives the urban space a unique and modern look.



### Example 6

---

The Skver LED luminaire with a flower-shaped hood not only provides effective lighting, but also adds a touch of charm and aesthetics to urban streets, creating a pleasant atmosphere.





P E N D A N T  
L U M I N A I R E S





IP 66

IK 10

ULOR < 1

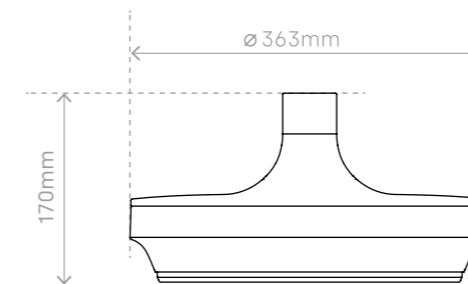
FOR SELECTED  
LUMINAIRE INDICES

PENDANT LUMINAIRES

## VERSION WITH A FLAT DIFFUSER

The pendant version of the Skver LED luminaire was developed to enhance our selection of urban park lighting solutions.

The consistent design allows for the application of various Skver LED luminaires, tailored to the needs of a specific space without disrupting the aesthetics of the surroundings. A flat version of the diffuser can, similarly to floor luminaires, take on different designs depending on whether and which hood it is equipped with.



Rated power [W]:	19 - 50
Luminous flux [lm]:	2850 - 7100
Mounting method:	suspended
Additional options:	knife switch connector, cutting off power, safeguards against accidental electric shock

SKVER<sub>LED</sub>



IP 66

IK 10

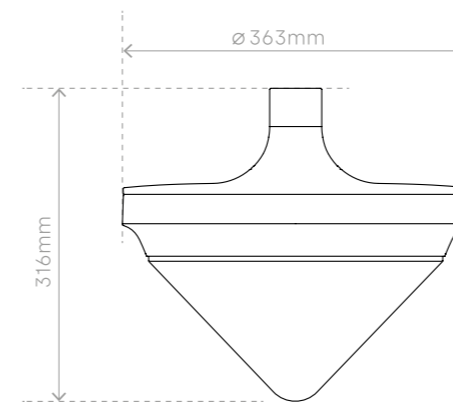
ULOR < 1  
FOR SELECTED  
LUMINAIRE INDICES

## PENDANT LUMINAIRES

# VERSION WITH A DIFFUSER AND A HOOD

Pendant luminaires with a diffuser and a hood are another proposals from the Skver LED family.

Similarly to flat diffuser luminaires, their design can also vary depending on the accessory used. Designed with modularity in mind, the luminaire's design allows for easy access to the board containing electrical and optical components, enabling effortless replacement or modification.



Rated power [W]:	19 - 50
Luminous flux [lm]:	2850 - 7100
Mounting method:	suspended
Additional options:	knife switch connector, cutting off power, safeguards against accidental electric shock

PENDANT LUMINAIRES

# BESPOKE VERSIONS



Example 2

The road luminaire with a square-like hood perfectly complements modern urban architecture, adding a harmonious and functional aspect to the landscape.



Example 3

The Skver LED luminaire with a round hood and metal element not only provides aesthetic lighting, but also adds a sophisticated touch to the surrounding space, enhancing its appeal and emphasising modernity.



Example 4

The Skver LED luminaire with a round hat-shaped hood combines modern design with functionality, adding an elegant and refined look and character to urban environments.



Example 5

The Skver LED luminaire with a round, perforated hood not only provides high-quality lighting, but also adds a subtle elegance and lightness to the urban environment, harmoniously complementing modern architecture.



Example 6

Taking inspiration from nature, the road luminaire with a flower-shaped hood seamlessly integrates functionality with aesthetics, forming a unique component of urban scenery.



Clue<sup>®</sup>

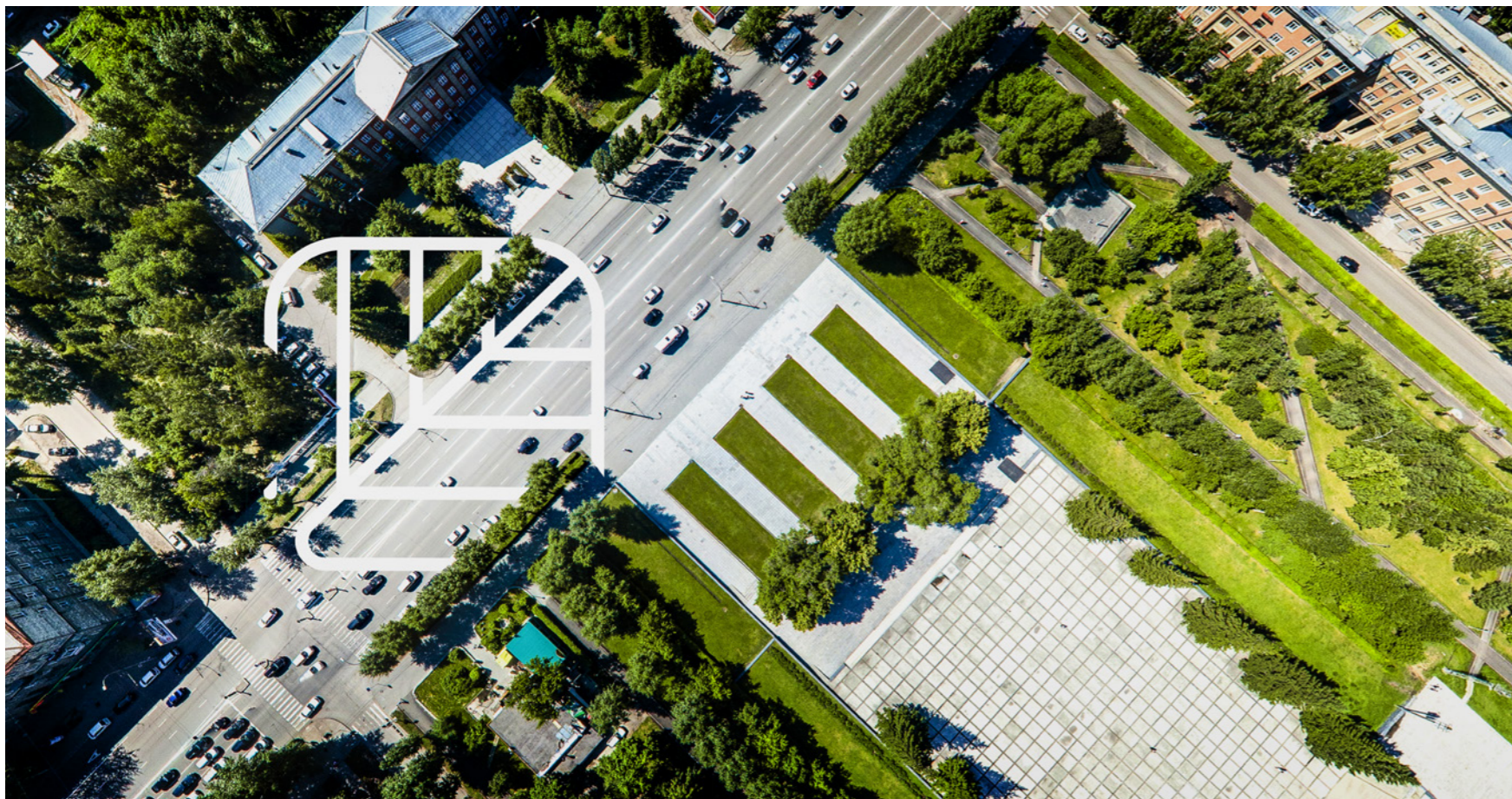


# TECHNOLOGY SERVING YOUR CITY!

Skver LED is not just a modular luminaire, but part of a city management system. By combining aesthetic design with cutting-edge technology, it empowers you to reach as far as your imagination can take you. Utilising these luminaires for city management offers another opportunity for a responsible approach to cost reduction and maximising the potential.

SKVER<sub>LED</sub>





# IT REALLY MATTERS

We make our products according to the highest environmental standards.

Being aware of the importance of environmental protection behaviours and future generations inspires us to put maximum effort into offering the highest quality energy-efficient products; and to make sure that the entire process and technology of their production do not have a negative impact on the ecosystem.

ul. Kórnicka 52  
63-000 Środa Wielkopolska, Poland  
tel. +48 (61) 28 60 300  
email: [drogowy@lenalighting.pl](mailto:drogowy@lenalighting.pl)

