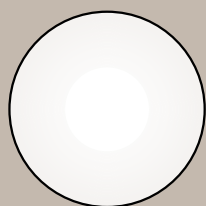




Expo Adjust



DESIGN: Jakub Zarzyński / MANUFACTURED IN: Poland

Expo Adjust is a modern projector that uses an efficient and energy-saving COB LED light source. It will prove perfect in restaurants, hotels, shop spaces as well as in art galleries and museums. Selected versions feature an innovative function of manual adjustment of the illumination angle, similar in operation to the "zoom" function of a photographic lens.





— Design

I have designed Expo Adjust with modern commercial interiors in mind, where it is important to emphasise the characteristics of equipment and displays, and create spatial atmosphere through light. I wanted a subtly expressive structure and a compact form that would accommodate technological features ensuring great lighting possibilities.

I thought it could resemble stage lighting a bit. Thanks to the cooperation with engineers from Lena Lighting, it was possible to achieve small size, in relation to significant lighting possibilities, and at the same time ensure high energy efficiency.

However, I wanted the luminaire, in addition to its very good parameters and small dimensions, to be a complementary item for representative and boldly designed architectural interiors – hence the masking net finishing of the smooth luminaire body, resembling net solutions popular in fancy loft-design arrangements I also focused on comprehensiveness. Expo Adjust will work well in restaurants, hotels, shop spaces and exhibition stands.

A stylized, handwritten signature in black ink, which appears to read 'Zarzyński'.

Jakub Zarzyński / Designer

v d

l u

e s

01 / 04 — **Passion and professionalism**

Our company was born out of fascination with light. For 33 years of running our business, we have gained knowledge and competences, thanks to which we can design and manufacture even the most complex lighting systems.

02 / 04 — **Inspiration and design**

We make sure that our products are distinguished not only by the best parameters, but also by unique design. We believe that the space that surrounds us has a real impact on our well-being. We create our products having the above in mind.

03 / 04 — **Innovation and development**

We offer technologically advanced solutions. We constantly invest in the development of our research centre and state-of-the-art production lines. We develop dynamically with the advancement of technology.

04 / 04 — **Sustainable development**

We have placed environmental management at the heart of our business, implementing a system that minimises any negative impact on the natural environment. We are ISO 14001 certified.

Expo Adjust

Lighting system



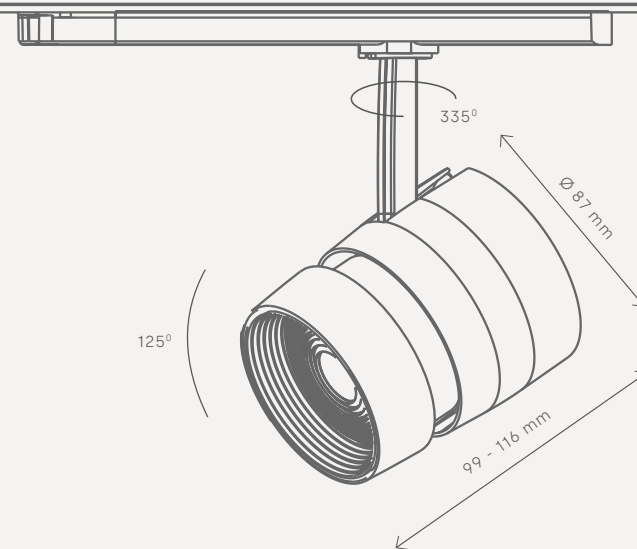


Minimalistic sizes and surprising parameters

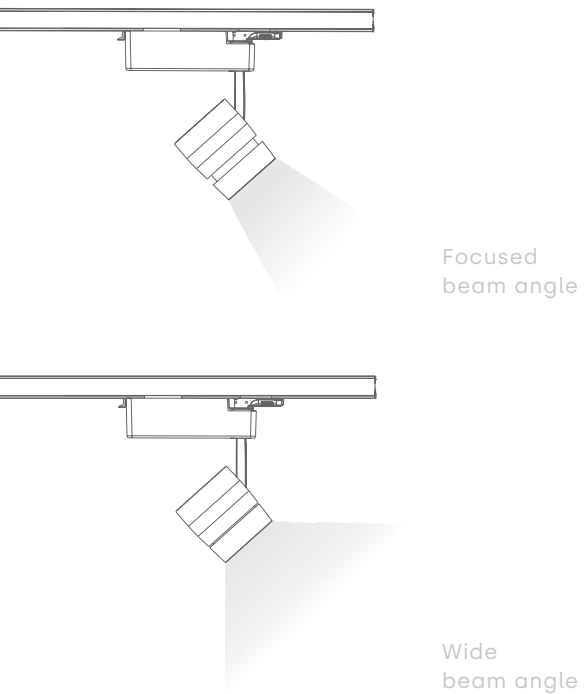
Expo Adjust is an energy-saving technology and high luminous efficiency enclosed in a small body with a minimalist design. This high-quality aluminium projector with a LED light source offers luminous efficiency of up to 111 lm/W, which is an unparalleled result in this product category. The amazing efficiency has been additionally combined with a very high colour rendering index (Ra > 90). It is an ideal solution wherever the highest quality of light and maintaining energy efficiency are expected.

- Design developed by our own R&D department.
- Polish production and branded components.
- Body colour: white, black, any RAL colour.
- Body material: aluminium, ABS box
- Luminous efficacy of up to 111 lm/W.
- Power range from 19 to 37 W.
- The maximum luminous flux is 3450 lm.
- Colour temperature: 3000K, 4000K.
- Versions with DALI control available.
- Available versions with light distribution regulation.
- Colour rendering index (Ra) > 90.

Expo Adjust



Easy adjustment of the light focus thanks to the zoom function.



Expo Adjust is offered with a system of branded busbars on which projectors are mounted, which increases the scope of arrangement options and makes it easier to adjust (move or rotate) the lighting after installation. The ZOOM version with adjustable illumination angle in the range of 22-55° additionally increases the adaptability of the product, which is a very convenient function in the event of a change of decor or the need to illuminate a new exhibition.





Expo Adjust



It really matters

We make our products according to the highest environmental standards.

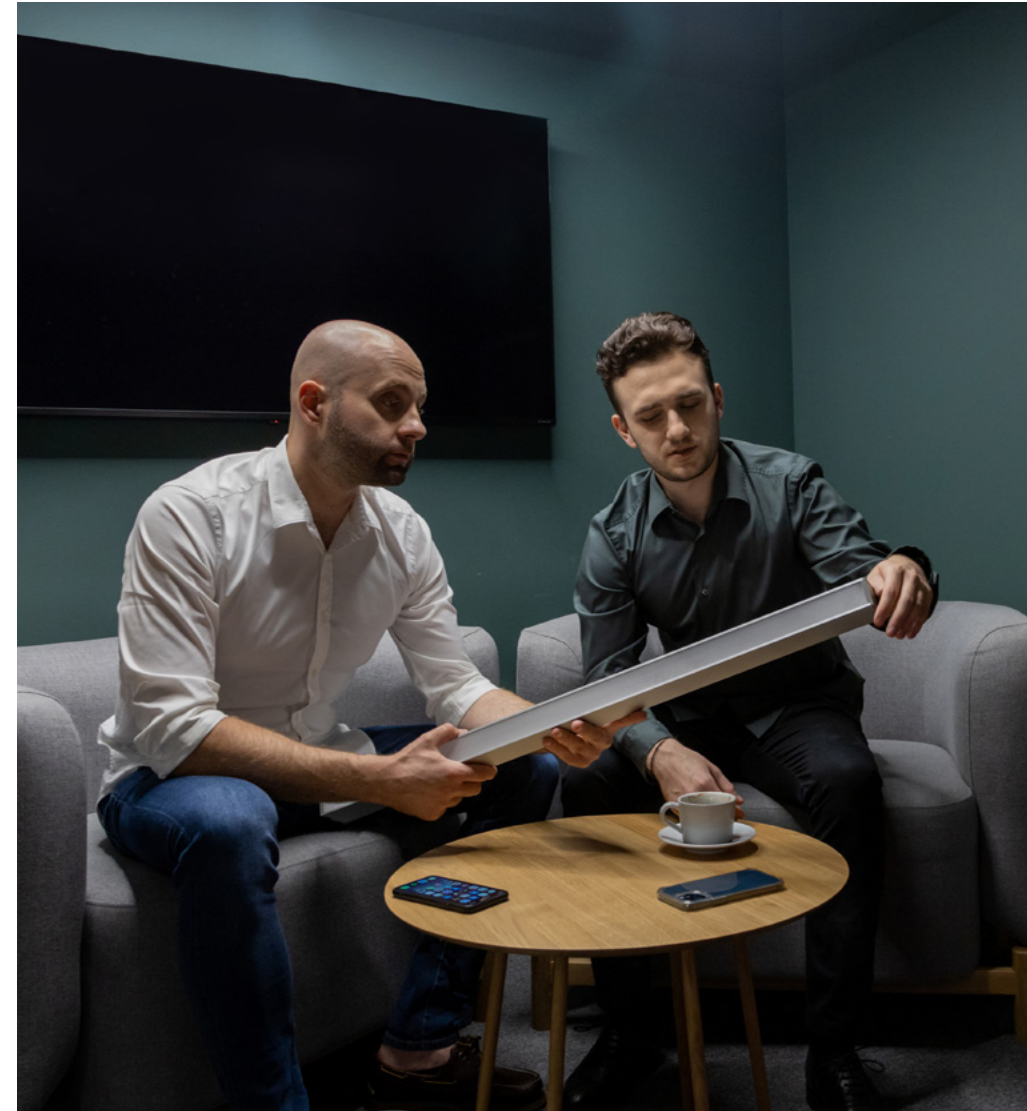


Being aware of the importance of environmental protection behaviours and future generations inspires us to put maximum effort into offering the highest quality, energy-efficient products; and to make sure that the entire process and technology of their production do not have a negative impact on the ecosystem.

Our efforts and their effectiveness have been confirmed by the ISO 14001 certificate. This means that Lena Lighting has successfully implemented an environmental management system. The overall goal of this system is to create conditions for the functioning of the enterprise in order to minimise the negative impact on the natural environment. We have already succeeded, but we are going to continue our journey and invest in technology and knowledge aimed at care for the natural environment.

Since 1989

We create
the light
together





 **LENA**
LIGHTING

   lenalighting

Lena Lighting S.A.
ul. Kórnicka 52, 63-000 Środa Wielkopolska, POLAND
tel. +48 (61) 28 60 300, e-mail: hello@lenalighting.pl

www.lenalighting.com