

DALI PIR Motion Sensor with HRC-11 Remote Control

WSEL381 (HCD049) (High-bay)
DALI/DALI-2 Bolt-on/Batten-fit PIR Sensor










Clue[®]

Product Description

HCD049 is a DALI high-bay PIR motion sensor, with capability of up to 1.5m installation height. HCD049 has a daylight sensor built-in, and is specifically designed for mounting onto a batten style luminaire. All sensor parameters can be programmed through remote controller HRC-11.

Hardware Features

-  30mA DALI Broadcast output
-  IP65
-  Fixing washers accessory
-  High-bay (up to 1.5m height)
-  5-year warranty, designed for long lifetime up to 50,000 hours
-  Daylight Harvest
-  Remote controllable



Technical Specifications

Input Characteristics

| Model No. | HCD049 |
|-------------------|-------------------------------|
| Operating voltage | 220 ~ 240VAC 50/60Hz |
| Stand-by power | < 1W |
| Output | 30mA, 12VDC (max. 15 devices) |
| Warming-up | 30s |

Safety and EMC

| | |
|-----------------------|--------------------------------------|
| EMC standard (EMC) | EN55015, EN61547 EN61000-3-2/-3-3 |
| Safety standard (LVD) | EN61347-1, EN61347-2-11 |
| Certification | ENEC, CE, EMC, LVD, RCM |
| RED | EN300328, EN301489-1 EN301489-17 |

Sensor Data

| Model No. | HCD049 |
|------------------|--|
| Sensor principle | PIR detection |
| Detection range* | Max installation height: 1.5m (forklift) 1.2m (single person) Max detection range: 1.6m (diameter) |
| Detection angle | 360° |

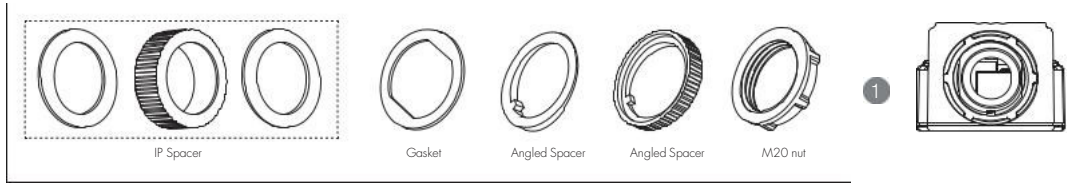
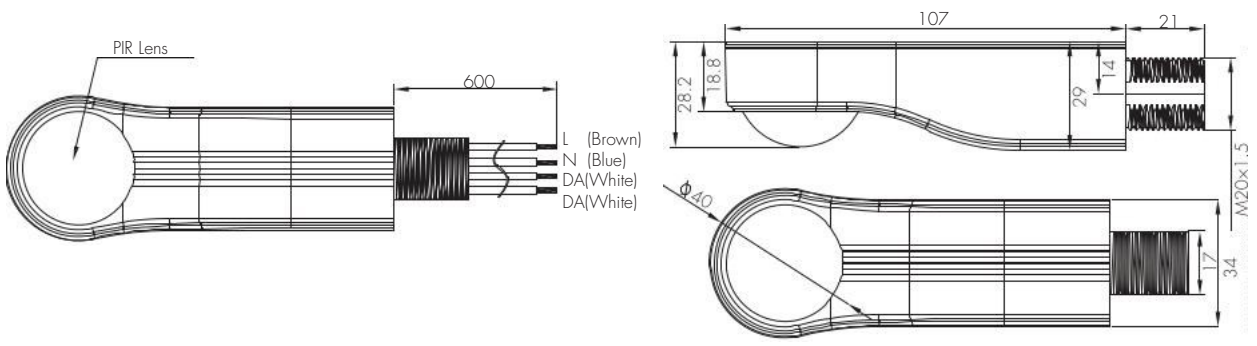
* The detection range is heavily influenced by sensor placement (angle) and different walking paces. It may be reduced under certain conditions.

Environment

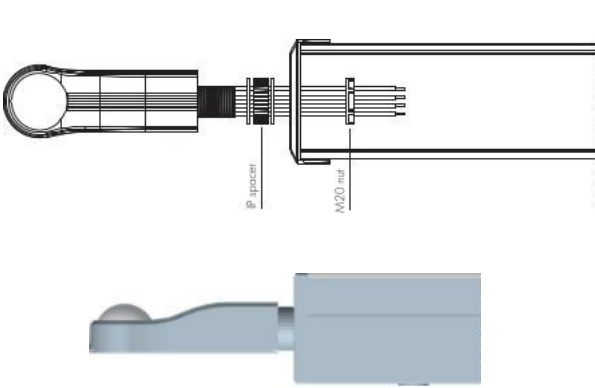
| | |
|-----------------------|-------------------|
| Operation temperature | Ta: -20°C ~ +50°C |
| IP rating | IP65 |

Mechanical Structure & Dimensions

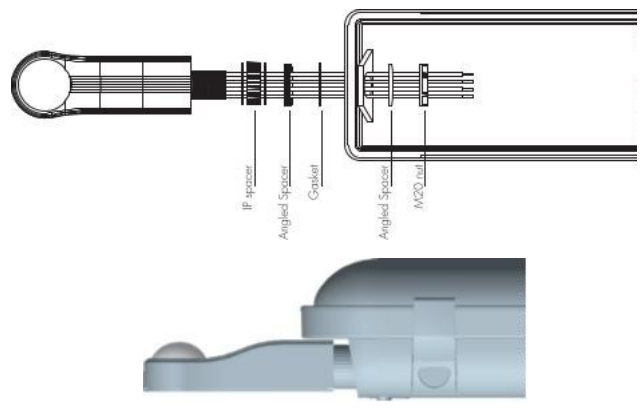
(unit:mm)



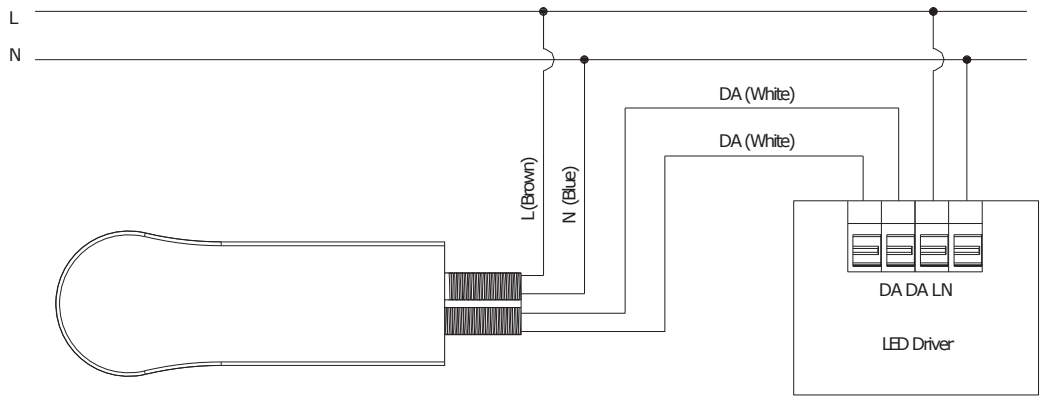
Typical Installation 1

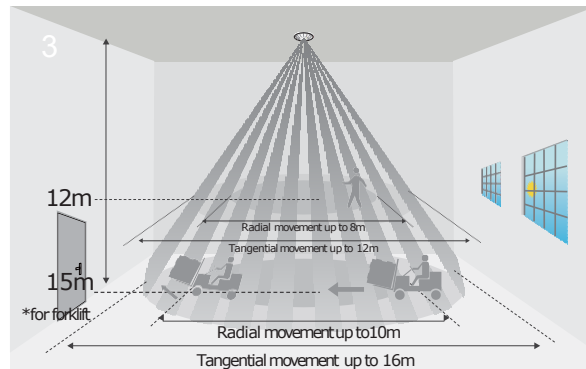


Typical Installation 2



Wiring Diagram





*The detection patterns are based upon 5km/h movement speed.

Additional Information / Documents

1. To learn more about detailed product features/functions, please refer to www.hytronik.com/download ->knowledge ->Introduction of App Scenes and Product Functions
2. Regarding precautions for Bluetooth product installation and operation, please kindly refer to www.hytronik.com/download ->knowledge ->Bluetooth Products -Precautions for Product Installation and Operation
3. Regarding precautions for PIR sensor installation and operation, please kindly refer to www.hytronik.com/download ->knowledge ->PIR Sensors -Precautions for Product Installation and Operation
4. Data sheet is subject to change without notice. Please always refer to the most recent release on www.hytronik.com/products/bluetooth technology ->Bluetooth Sensors
5. Regarding Hytronik standard guarantee policy, please refer to www.hytronik.com/download->knowledge ->Hytronik Standard Guarantee Policy