

Pole Mounted BT Access Gate

624605 – Gateway BT HYT Clue GSM HBGW02 IoT

625497 – Gateway BT HYT Clue HBGW02 IoT (bez GSM)



Technical data for HBGW02

Product Dimension	120x120x30mm
DC In	DC5V/2A
WiFi Frequency	2412-2484MHz
WiFi Output Power	19.5±1dBm
WiFi Range	Max.30m
BT Output Power	0dBm
BT Range	Max.10m
LED Indicator	Power On: Red WIFI: Green Bluetooth: Blue
Operation temperature	Ta: -35°C ~ +70°C
IP rating	IP20
Safety and EMC	EN IEC62368 ,EN 55032, EN 301489-17 EN 301489-1,EN 30328

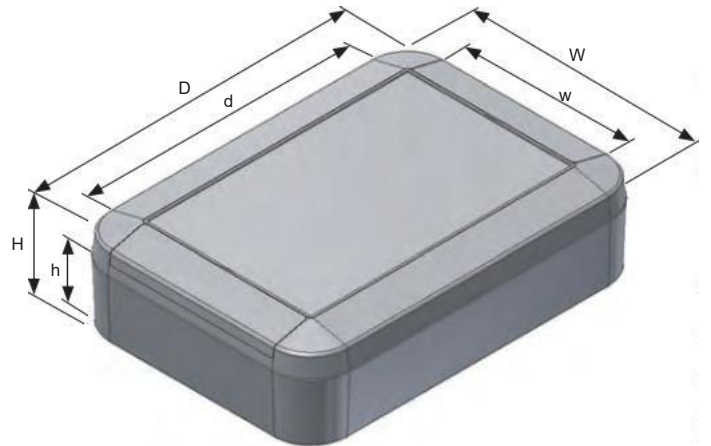
LENA LIGHTING | Clue

Mobile app for IOS and Android

Web application/platform:
www.iot.koolmesh.com

Key Features

- Data transmission between Mesh network & Ethernet
- Available with POE power supply version
- Seamless integration with BMS
- Cost-Effective Solution



Components

Nr	Part Name	Number of pieces	Material / Color
1	Top cover	1	ASA UL94HB / White Grey : Flame Retardant ABS UL94V-0 / Graphite Grey
2	Bottom Base	1	ASA UL94HB / White Grey : Flame Retardant ABS UL94V-0 / Graphite Grey
3	Blanking covers	2	ASA UL94HB / White Grey : Flame Retardant ABS UL94V-0 / Graphite Grey
4	Gasket	1	Silicone / Black
5	Screw	4 ~ 8	Stainless Steel Screw

Product No. / Dimensions

Product No.	IP	Dimensions			Internal dimensions			Screw	Recommended torque (N · m)	Weight (g)
		W	D	H	w	d	h			
WP20-28-7C	IP67	200	280	65	189	229	58/5	M3-8 x 8pcs	0.45 ~ 0.55	646

Housing content

IOT0025	External 4G/LTE USB Stick WiFi Modem ZTE MF79U (contains only 624605)
624933	Timekeeper/repeater module HTG02/F Hytronik IoT
IOT0022	IP67 WP20-28-7C TAKACHI Enclosure
625893	Router gateway BT HYT HBGW02 IoT

624933 (HTG02/F)



Port Ethernet

Power input

625893 (HBGW02)

