



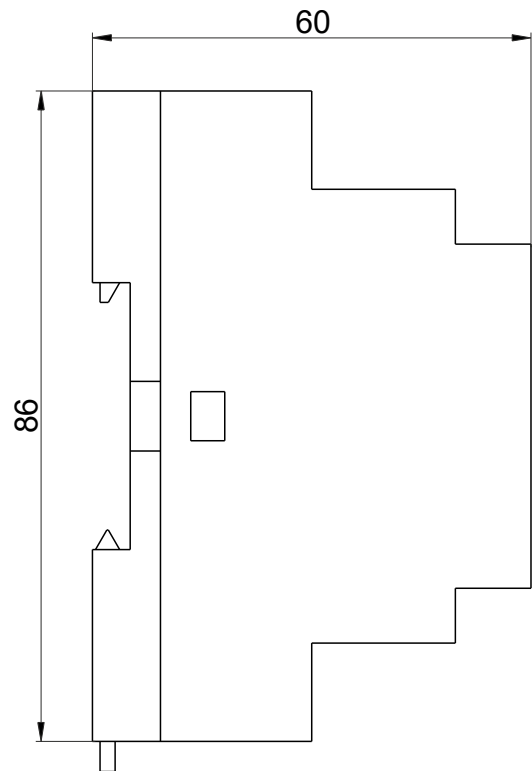
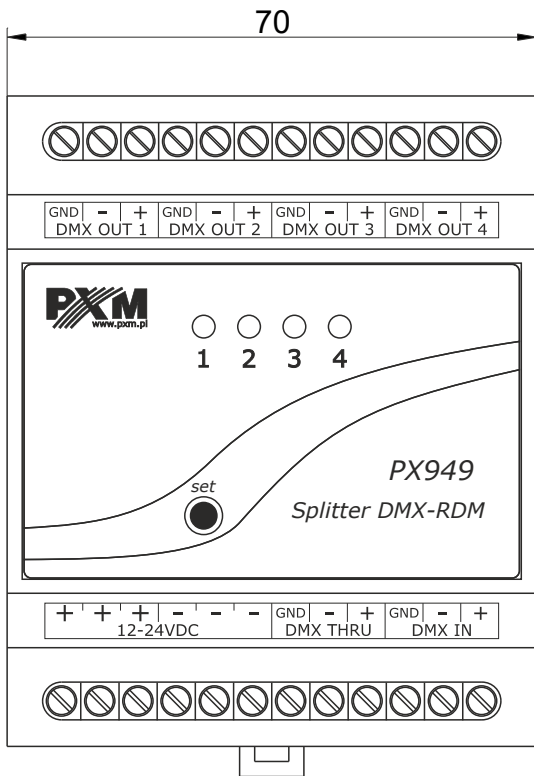
## Device description

A splitter, a DMX signal distributor, allows for the creation of branches in extensive DMX installations. Connecting a large number of receivers in series can be troublesome, which is why the possibility of creating branches of the DMX track using a splitter was created.

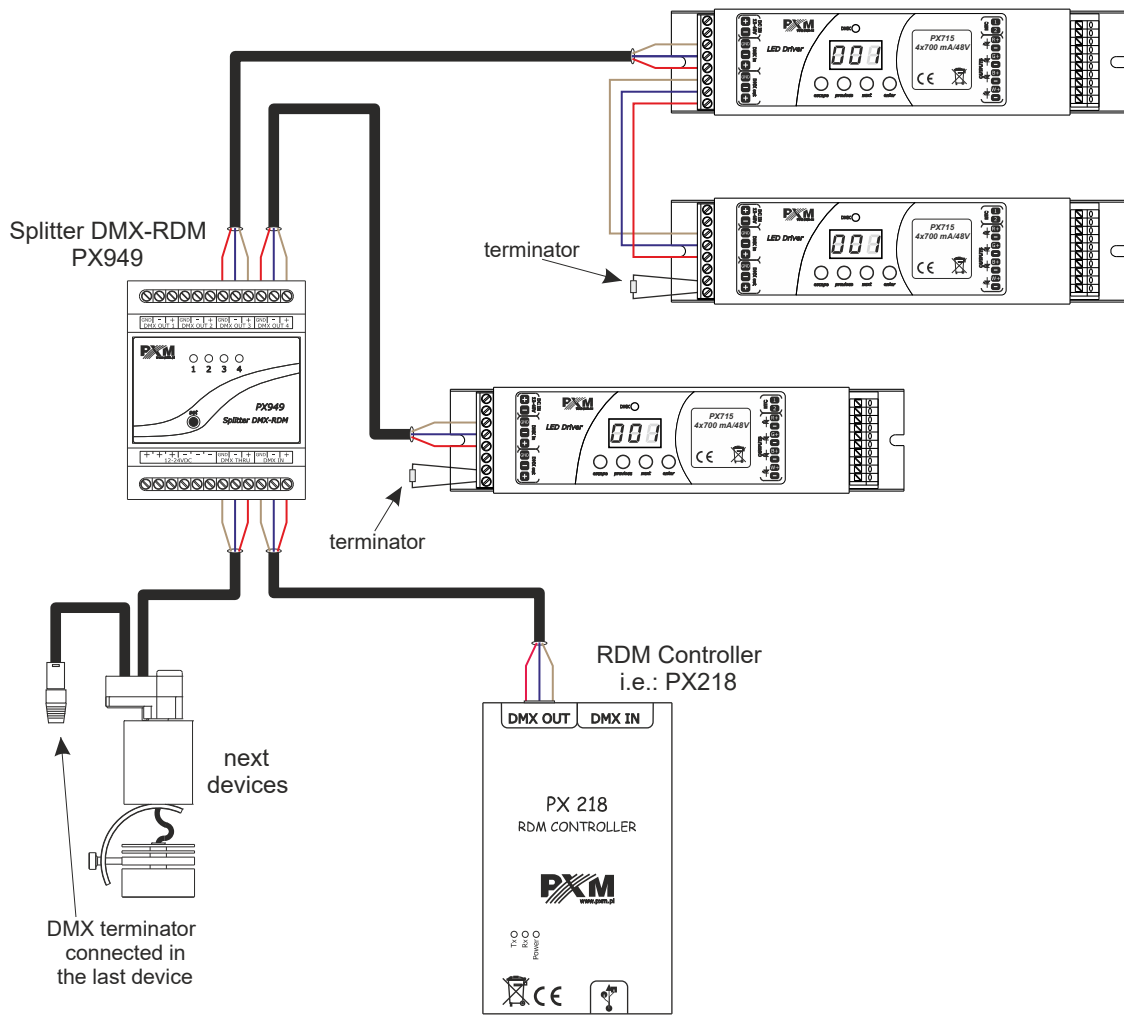
With the PX949 you can split the input DMX signal into 4 independent branches. The individual output lines are galvanically separated from both the input and from each other. The splitter can operate in three modes:

- **filtering** – incoming RDM packets are discarded and the output DMX signal is completely regenerated with the following parameters:
  - *Break* – 320µs,
  - *MAB* – 30µs,
  - *MBF* – 10µs,
  - *WAIT* – 200µs,
  - the number of sent channels is 24 – 512 depending on the number of input channels – PX949 recognizes how many DMX channels are received,
- **bypass** – the output signal is exactly the same as the input signal – RDM is not supported,
- **normal** – the splitter allows for bidirectional transmission of RDM packets.

The DMX-RDM splitter is manufactured in housing adapted for mounting on standard 35mm DIN rails.



# Connection diagram



## Technical data

---

type	PX949
power supply	12 – 24V DC
DMX channels (IN = OUT)	24 – 512
number of DMX inputs	1
number of DMX outputs	4
number of modes	3 (filtering / bypass / normal)
RDM protocol support	yes (in "normal" mode)
optical isolation of DMX lines	yes
insulation breakdown voltage IN/OUT	>1000V
power consumption	max. 5W
weight	0.2kg
dimensions	width: 70mm (4 DIN modules) height: 86mm depth: 60mm