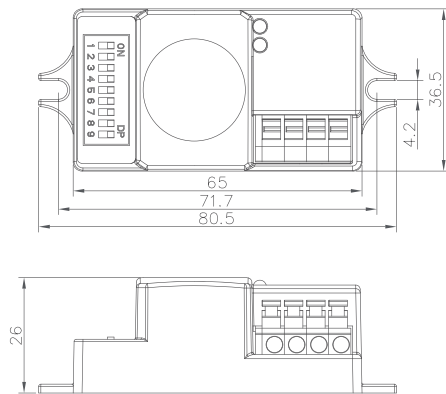
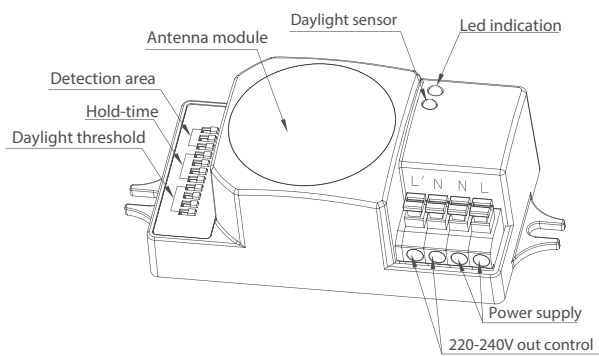
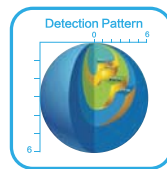
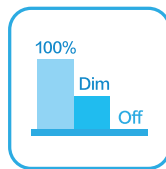


Super compact version on/off control

Model: HC005S



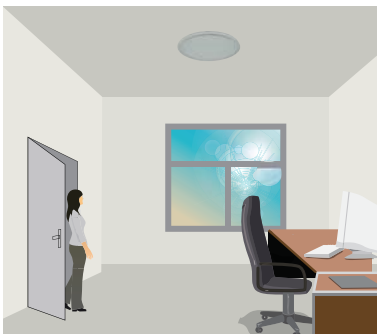
The smallest HF motion sensor on the planet, worldwide patented!!!



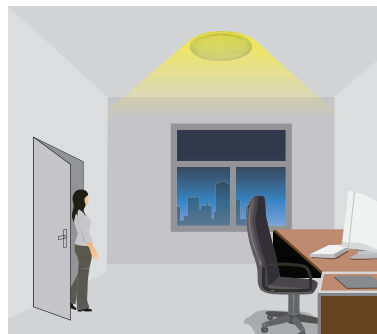
This sensor is a motion switch, turn on the light on detection of people movement, and turn off after a pre-selected holdtime when there is no people around. A daylight sensor is also built-in to switch off the light when there is sufficient natural light.

Function and options

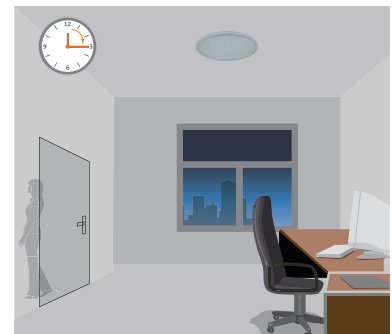
1 On-off Function



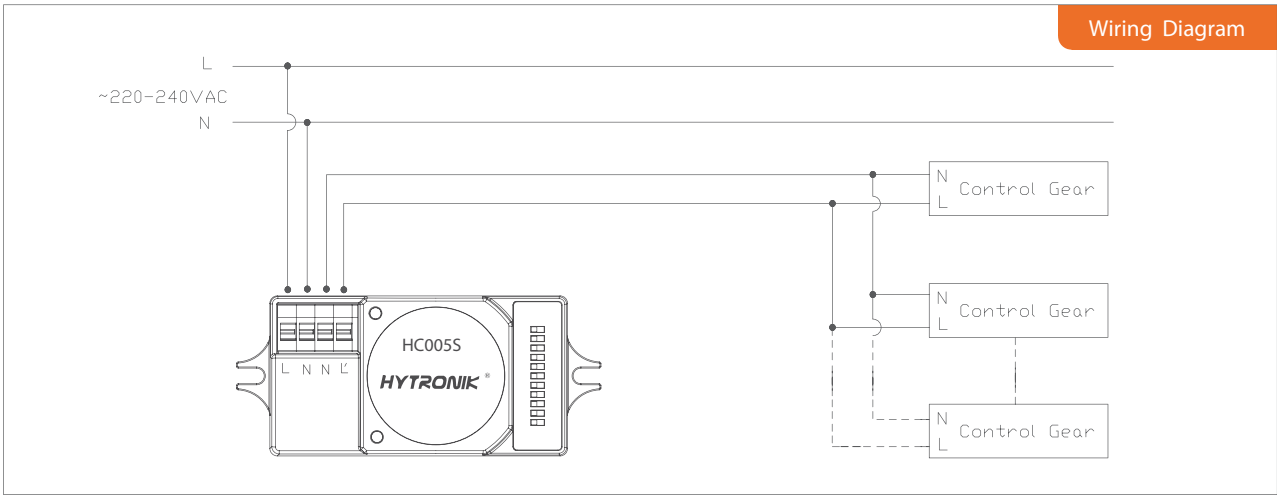
With sufficient natural light, the light does not switch on when presence detected



With insufficient natural light, the sensor switches on the light automatically when person enters the room

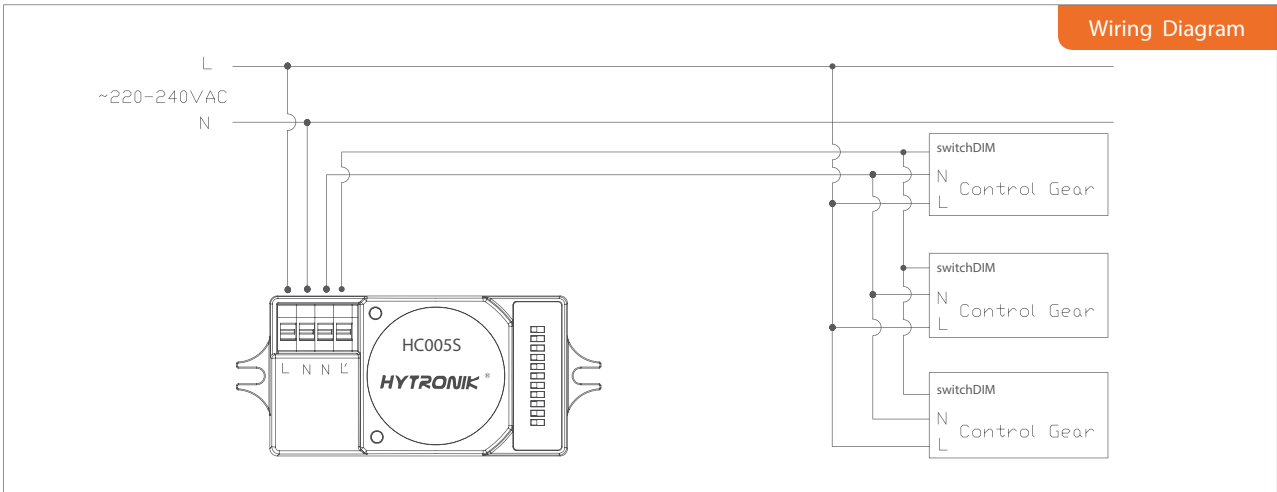


After the hold time, then switch off automatically when no movement is detected.

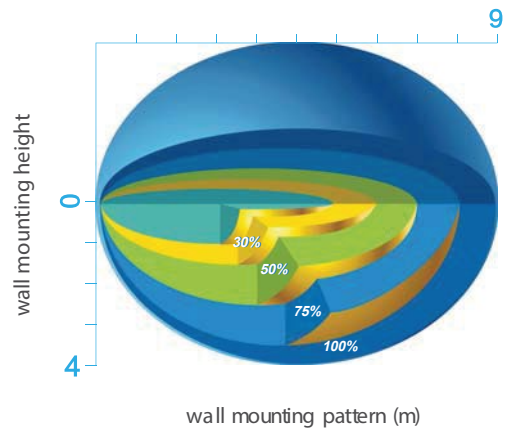
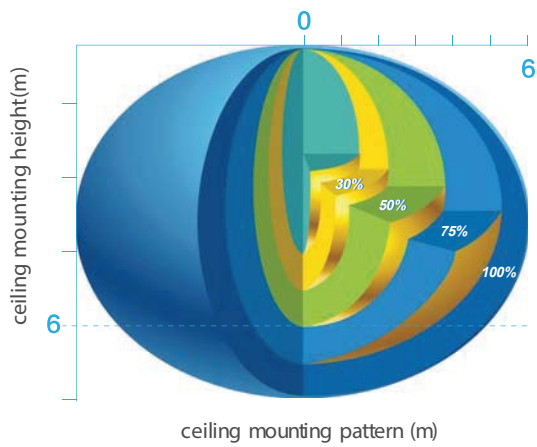


2 3-steps dimming control

with Tridonic switchDIM ballast / driver (Excel ballast/driver, corridor function), this sensor can also achieve 3-steps dimming control...

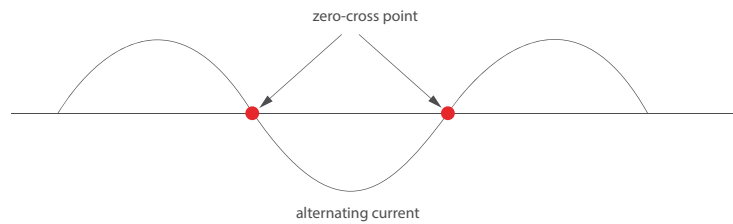


Detection Pattern



Zero-cross relay operation

Designed in the software, sensor switches on/off the load right on the zero-cross point, to ensure the min. current passing through the relay contact point, and enable the max. load and life-time of the relay.



Settings

1 Detection area

Detection area can be reduced by selecting the combination on the DIP switches to fit precisely for each specific application.

DETECTION AREA	1	2	3	
	I	●	●	
II	○	●	●	75%
III	○	●	○	50%
IV	○	○	●	30%
V	○	○	○	Disable



2 Hold-time

Hold-time means the time period you would like to keep the lamp on 100% after the person has left the detection area.

HOLD TIME	4	5	6	
	I	●	●	
II	●	○	●	30s
III	●	○	○	1min
IV	○	●	●	5min
V	○	●	○	10min
VI	○	○	●	20min
VII	○	○	○	30min



3 Daylight sensor

The daylight threshold can be set on DIP switches, to fit for particular application.

“daylight”: The lamp works always, even during daylight.

“twilight”: The lamp works only in twilight.

“darkness”: The lamp works only in darkness.

DAYLIGHT SENSOR	7	8	9	
	I	●	●	
II	○	●	●	50 Lux
III	○	●	○	20 Lux
IV	○	○	●	5 Lux
V	○	○	○	2 Lux



ATTENTION! The luminaire operation may be disturbed by moving objects in the detection field.

Technical Data

Operating voltage	220-240V
Switched power	Max.400W (capacitive) Max.1200W(resistive)
Standby power	<0.5W
Warming-up time	20s
Detection area	30/50/75/100%, can be customized
Hold time	5S/30S/1min/5min/10min/15min/30min, can be customized
Daylight threshold	2~50lux daylight/twilight/darkness, can be customized
Microwave frequency	5.8GHz+/-75MHz
Microwave power	<0.2mw
Detection range	Max. (∅xH): 12m x 6m
Detection angle	30°~150°
Mounting height	Max.6m
Operating temperature	-35°C ~ +70 °C
IP rating	IP20 / IP65 (mounting in Hytronik special box)
Certificates	Semko, EMC, CE, R&TTE